



LINEO QUIET RANGE NEW

In-line mixed flow fans equipped with AC motors

TECHNICAL AND PERFORMANCE DATA - LINEO QUIET

Models	Code	V~50/60 HZ	W min/med/ max	A min/med/ max	RPM min/med/ max	Max Airflow		Max Pressure		Max °C	KG
						m³/h min/med/max	l/s min/med/max	mmH ₂ O min/med/max	Pa min/med/max		
LINEO 100 QUIET	17160	220-240	11	0.09	1455	150	41.7	9	88.3	45	3,8
LINEO 100 T QUIET	17190		24	0.11	1880	200	55.6	11.5	112.8		
LINEO 125 QUIET	17161	220-240	11	0.09	1125	190	52.8	8	78.5	45	3,6
LINEO 125 T QUIET	17191		24	0.11	1475	250	69.4	10	98.1		
LINEO 150 QUIET	17162	220-240	24	0.14	1040	255	70.8	10.5	103	55	5,4
LINEO 150 T QUIET	17192		37	0.17	1430	350	97.2	15.5	152		
LINEO 160 QUIET	17163	220-240	24	0.14	1040	255	70.8	10.5	103	55	5,2
LINEO 160 T QUIET	17193		37	0.17	1430	350	97.2	15.5	152		
LINEO 200 QUIET	17164	220-240	50	0.34	1880	805	223.6	20.6	202	50	8,6
LINEO 200 T QUIET	17194		80	0.42	2380	1045	290.3	26.3	257.9		
LINEO 250 QUIET	17165	220-240	95	0.42	1640	960	266.7	20.2	198.1	50	13,4
			125	0.55	2320	1340	372.2	30.3	297.2		
			150	0.65	2750	1550	430.6	34.6	339.3		
LINEO 315 QUIET	17166	220-240	215	0.95	1930	2070	575	30.6	300.1	50	28,3
			270	1.15	2360	2530	702.8	43.3	424.6		
			360	1.55	2705	2890	802.8	53.6	525.7		

SOUNDS LEVELS - LINEO QUIET

Calculated in free field conditions at 3 m distance

SOUND LEVEL Lw dB (A)

Models	Code	INTAKE			SUPPLY			IRRADIATED		
		min	med.	max	min	med.	max	min	med.	max
LINEO 100 QUIET	17160	62.2	70.5	74.6	62.3	68.7	74.4	36.2	41.8	46.6
LINEO 100 T QUIET	17190									
LINEO 125 QUIET	17161	60.1	64.2	70.4	60.5	64.2	70.9	36.2	41.8	45.5
LINEO 125 T QUIET	17191									
LINEO 150 QUIET	17162	60.3	68.2	77.3	62.1	67.7	76	38.2	43.4	51.2
LINEO 150 T QUIET	17192									
LINEO 160 QUIET	17163	60.3	68.2	77.3	62.1	67.7	76	38.2	43.4	51.2
LINEO 160 T QUIET	17193									
LINEO 200 QUIET	17164	76.9	83.3	86.4	75.1	81.5	85	51.6	57.4	60.7
LINEO 200 T QUIET	17194									
LINEO 250 QUIET	17165	76.3	83.6	85.1	75	83.4	87.4	49.5	57	60.7
LINEO 315 QUIET	17166	82.8	87	91.7	82.8	87	89.8	58.8	62.9	65.9

SOUND PRESSURE LP dB(A)

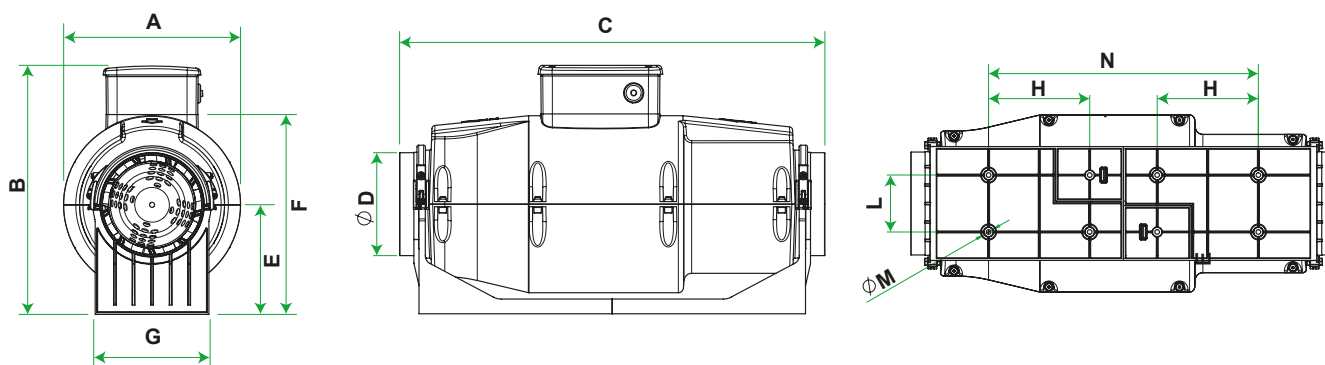
Models	Code	INTAKE			SUPPLY			IRRADIATED		
		min	med.	max	min	med.	max	min	med.	max
LINEO 100 QUIET	17160	44.6	52.9	57.1	44.8	51.2	56.9	15.7	21.3	26.1
LINEO 100 T QUIET	17190									
LINEO 125 QUIET	17161	42.6	46.7	52.9	43	46.6	53.4	15.6	21.1	25
LINEO 125 T QUIET	17191									
LINEO 150 QUIET	17162	42.8	50.7	59.7	44.5	50.1	58.5	17.6	22.9	30.7
LINEO 150 T QUIET	17192									
LINEO 160 QUIET	17163	42.8	50.7	59.7	44.5	50.1	58.5	17.6	22.9	30.7
LINEO 160 T QUIET	17193									
LINEO 200 QUIET	17164	59.3	65.8	68.8	57.6	64	67.5	31	36.9	40.2
LINEO 200 T QUIET	17194									
LINEO 250 QUIET	17165	58.8	67.6	71.5	57.5	65.9	69.9	29	36.5	40.1
LINEO 315 QUIET	17166	66.8	71	74.2	65.3	69.5	72.3	38.3	42.4	45.4

DIMENSIONS - LINEO QUIET

Models	Code	A	B	C	Ø D	E	F	G	H	L	Ø M	N	VERSION
LINEO 100 QUIET	17160	210	294.5	639	97	130	235	135	120	67.5	5.5	320	A
LINEO 100 T QUIET	17190												
LINEO 125 QUIET	17161	210	294.6	504.5	122	130	235	135	120	67.5	5.5	320	A
LINEO 125 T QUIET	17191												
LINEO 150 QUIET	17162	232	320.5	685	147	145	261.5	170	132	85	5.5	360	A
LINEO 150 T QUIET	17192												
LINEO 160 QUIET	17163	232	320.5	570	156.5	145	261.5	170	135	85	5.5	360	A
LINEO 160 T QUIET	17193												
LINEO 200 QUIET	17164	322.5	417.5	625.5	194.5	195	363.5	190	120	155	5.5	510	B
LINEO 200 T QUIET	17194												
LINEO 250 QUIET	17165	318	412	751.5	243	189.5	363.5	200	70	170	6.5	604.5	B
LINEO 315 QUIET	17166	415.5	496.5	940	307	244	441	309	110	255	8.5	780	B

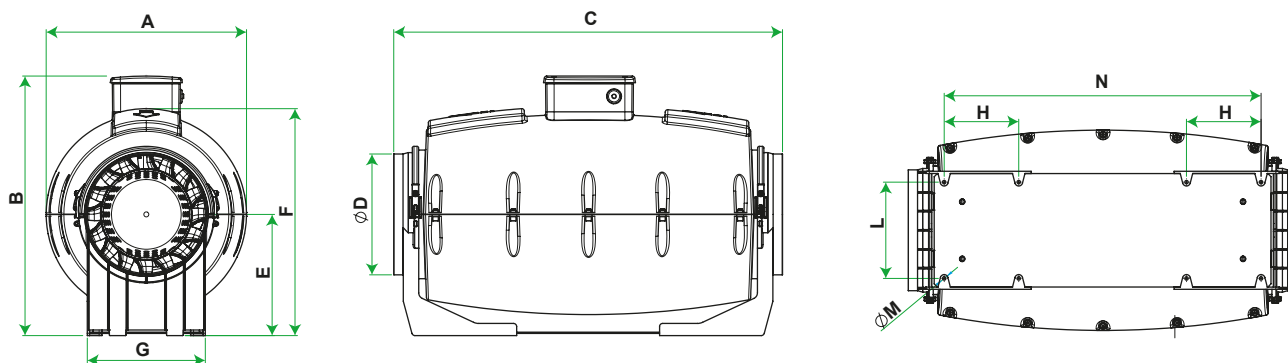
VERSION A

LINEO 100 QUIET - LINEO 100 T QUIET - LINEO 125 QUIET - LINEO 125 T QUIET
LINEO 150 QUIET - LINEO 150 T QUIET - LINEO 160 QUIET - LINEO 160 T QUIET



VERSION B

LINEO 200 QUIET - LINEO 200 T QUIET - LINEO 250 QUIET - LINEO 315 QUIET





LINEO QUIET ES RANGE NEW

In-line mixed flow fans equipped with EC Brushless motors

TECHNICAL AND PERFORMANCE DATA - LINEO QUIET ES

Models	Code	V~50/60HZ	W		RPM	Max Airflow		Max Pressure		Max °C	KG
			4/6/8/10V	4/6/8/10V		m³/h	l/s	mmH ₂ O	Pa		
			4/6/8/10V	4/6/8/10V	4/6/8/10V	4/6/8/10V	4/6/8/10V	4/6/8/10V	4/6/8/10V		
LINEO 100 QUIET ES	17170	220-240	6.2	0.09	1140	135	37.5	3.5	34.3	60	3,8
			8.3	0.12	1450	175	48.6	5.8	56.9		
			14.7	0.18	2050	250	69.4	11.4	111.8		
			23	0.26	2510	300	83.3	24.8	243.2		
LINEO 125 QUIET ES	17171	220-240	6.6	0.10	1080	180	50	3.3	32.4	60	3,6
			8.8	0.12	1340	225	62.5	5.6	54.9		
			16	0.18	1865	320	88.9	11	107.9		
			24	0.26	2210	380	105.6	23.7	232.4		
LINEO 150 QUIET ES	17172	220-240	7.7	0.11	1015	250	69.4	4.6	45.1	60	5,4
			10.6	0.14	1240	305	84.7	7.5	73.6		
			20	0.24	1700	430	119.4	14.7	107.9		
			31	0.34	2030	515	143.1	24.2	237.3		
LINEO 160 QUIET ES	17173	220-240	7.7	0.11	1010	250	69.4	4.5	44.1	60	5,2
			10.6	0.14	1245	315	87.5	7.5	73.6		
			19.7	0.23	1685	435	120.8	14.4	141.2		
			31	0.34	2035	525	145.8	23.9	234.4		
LINEO 200 QUIET ES	17174	220-240	15.2	0.18	1380	570	158.3	8.6	84.3	50	8,6
			25.3	0.27	1705	720	200	13.9	136.3		
			52.4	0.52	2245	945	262.5	22.9	224.6		
			88	0.78	2700	1145	318.1	33.6	329.5		
LINEO 250 QUIET ES	17175	220-240	20	0.19	1365	750	208,3	10,1	99,1	50	13,4
			35	0.28	1680	940	261,1	15,6	153		
			75	0.60	2250	1250	347,2	26,6	260,9		
			125	0.97	2680	1485	412,4	37,5	367,8		
LINEO 315 QUIET ES	17176	220-240	42	0,31	1260	1400	388,9	12,9	126,5	50	28,3
			72	0,51	1560	1730	480,6	19,5	191,2		
			155	1,10	2070	2300	638,9	33,8	331,5		
			220	1,52	2350	2630	730,6	38,7	379,5		

SOUNDS LEVELS - LINEO QUIET ES

Calculated in free field conditions at 3 m distance

SOUND LEVEL Lw dB (A)

Models	Code	INTAKE				SUPPLY				IRRADIATED			
		4V	6V	8V	10V	4V	6V	8V	10V	4V	6V	8V	10V
LINEO 100 QUIET ES	17170	64.8	72.4	77.5	79.1	64.5	73.2	75.6	79	38.1	46.2	46.5	47.9
LINEO 125 QUIET ES	17171	63.7	71	75.8	78.3	64.3	73.5	74.7	79.4	42.3	48.5	51	51.7
LINEO 150 QUIET ES	17172	65.5	72.1	75	76.9	66	72.8	75.6	76.7	40.7	45.8	49.6	50.8
LINEO 160 QUIET ES	17173	65.5	72.1	75	76.9	66	72.8	75.6	76.7	40.7	45.8	49.6	50.8
LINEO 200 QUIET ES	17174	74.8	80	82.6	84.7	72.4	77.6	80.5	83.6	49.9	54.4	56.9	59.1
LINEO 250 QUIET ES	17175	71,4	76,7	83,7	88,1	70,7	76,1	83	87,2	44,4	49,1	55,9	60
LINEO 315 QUIET ES	17176	82.6	85.7	88.3	89.1	73.3	80.6	82.2	84.5	55.9	62.3	64.7	65.3

SOUND PRESSURE LP dB(A)

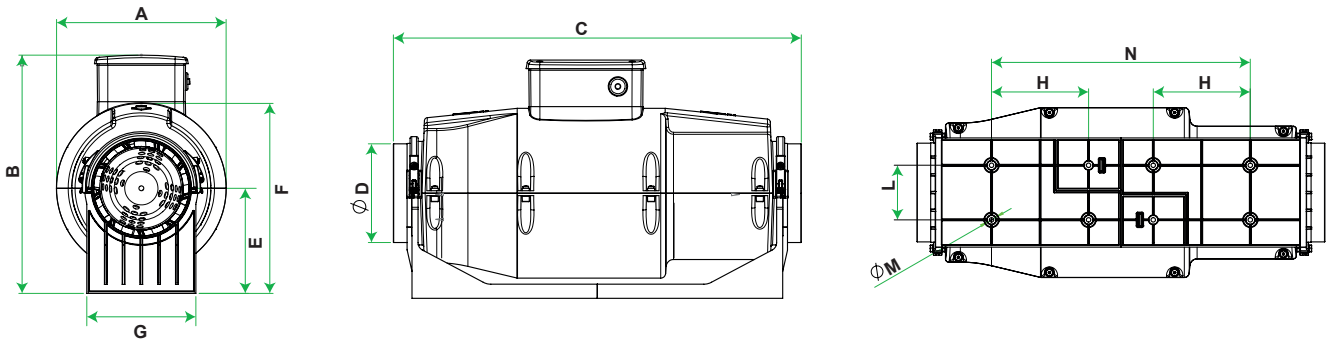
Models	Code	INTAKE				SUPPLY				IRRADIATED			
		4V	6V	8V	10V	4V	6V	8V	10V	4V	6V	8V	10V
LINEO 100 QUIET ES	17170	47.3	54.9	59.9	61.5	47	55.7	25.9	47	17.6	25.6	25.9	27.4
LINEO 125 QUIET ES	17171	46.1	53.4	58.3	60.8	46.8	56	57.2	61.9	21.8	28	30.4	31.3
LINEO 150 QUIET ES	17172	48	54.6	57.4	59.4	49	55.3	58.1	59.1	20.2	25.3	29.1	30.2
LINEO 160 QUIET ES	17173	48	54.6	57.4	59.4	49	55.3	58.1	59.1	20.2	25.3	29.1	30.2
LINEO 200 QUIET ES	17174	57.3	62.4	65.1	67.1	54.8	60.1	63	66.1	29.4	33.9	36.4	38.6
LINEO 250 QUIET ES	17175	53.9	59.2	66.1	70.5	52	58.6	65.5	69.7	23.8	28.6	35.4	39.5
LINEO 315 QUIET ES	17176	65.1	68.2	70.8	71.6	55.8	63.1	64.6	67	35.4	41.8	44.1	44.8

DIMENSIONS - LINEO QUIET ES

Models	Code	A	B	C	Ø D	E	F	G	H	L	Ø M	N	VERSION
LINEO 100 QUIET ES	17170	210	294.6	639	97	130	235	135	120	67.5	5.5	320	A
LINEO 125 QUIET ES	17171	210	294.6	504.5	122	130	235	135	120	67.5	5.5	320	A
LINEO 150 QUIET ES	17172	232	320.6	685	147	145	261.5	170	132	85	5.5	360	A
LINEO 160 QUIET ES	17173	232	320.6	570	156.5	145	261.5	170	135	85	5.5	360	A
LINEO 200 QUIET ES	17174	322.5	417.6	625.5	194.5	195	363.5	190	120	155	5.5	510	B
LINEO 250 QUIET ES	17175	318	411.9	751.5	243	189.5	363.5	200	70	170	6.5	604.5	B
LINEO 315 QUIET ES	17176	415.5	557.8	940	307	234	441	309	110	255	8.5	780	C

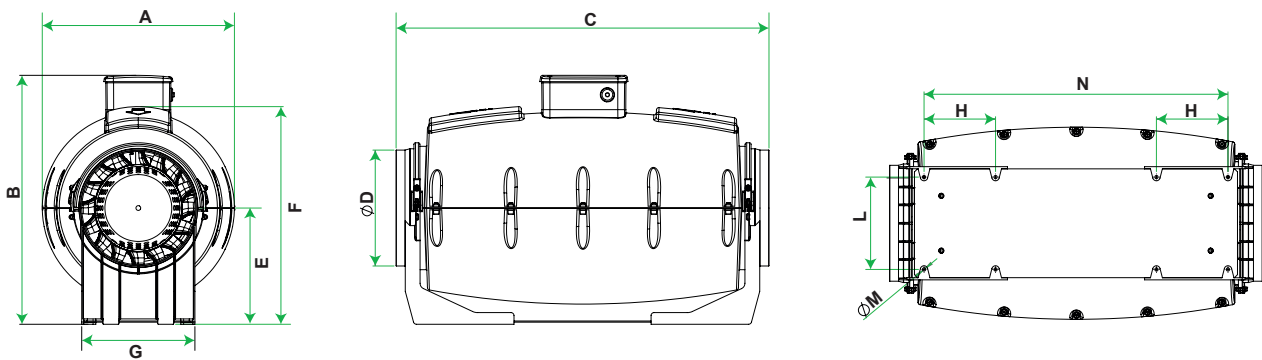
VERSION A

LINEO 100 QUIET ES - LINEO 125 QUIET ES - LINEO 150 QUIET ES - LINEO 160 QUIET ES



VERSION B

LINEO 200 QUIET ES - LINEO 250 QUIET ES



VERSION C

LINEO 315 QUIET ES

